

# GASER

## V-4000-SP AUTOMATIC HAMBURGUER MACHINE

MACHINERY FOR  
THE FOOD INDUSTRY



### OPTIONAL ACCESSORIES:

Conveyor belt

Connector for automatic continuous filler

Table with stainless steel wheels

Round hamburger shaper (additional)

Round hamburger ejector (additional)

Non-round hamburger shaper (additional)

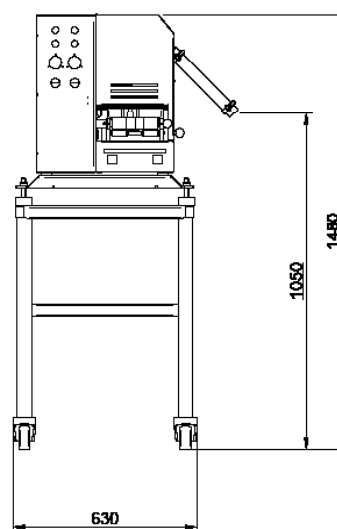
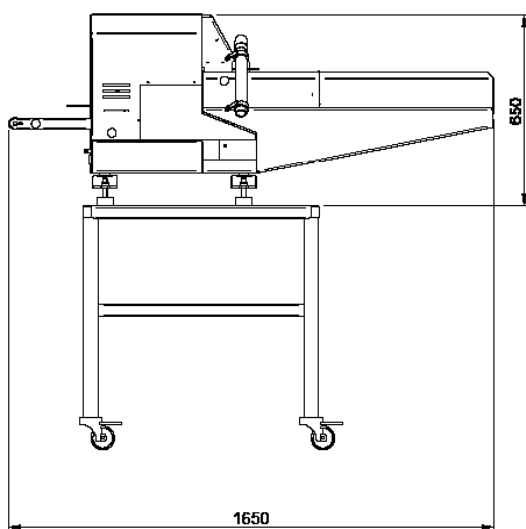
Non-round hamburger ejector (additional)

Automatic hamburger machine without paper for weights  
20 to 500 gr (depending on mould)

- Can be coupled to any filler (40 mm diameter).
- Forms hamburgers (without paper).
- Produces from 40 up to 60 hamburgers per minute (depending on filler speed and type of mixture).
- Hamburger weight from 20 up to 500 gr (by changing shaper).
- Variable shape (round, square, oval, rectangular). Round hamburgers from 50 up to 140mm.
- Pneumatic operation (consumes 300 litres per minute).
- Working pressure: 6kg / cm<sup>2</sup>.
- Electrical power consumption: 0,2 kW. (three-phase).
- Dimensions: 1,650 x 650 x 630 mm.
- Weight: 90 Kg.
- Made of stainless steel.

### RELATED MACHINES:

Piston fillers, continuous fillers, batter-breading machines, fryers, mixers and grinders.



INDUSTRIAS GASER, S.L. - Ctra. Bescanó, 15, Pol. Torre Mirona 17190 Salt (Girona) - Spain  
Tel. +34 972 23 65 72. E-mail [export2@gaser.com](mailto:export2@gaser.com)