

GASER

V-3000-CP DOUBLE AUTOMATIC HAMBURGUER MACHINE

MACHINERY FOR
THE FOOD INDUSTRY

Automatic hamburger machine with paper for weights 25 to 250 gr (depending on mould)



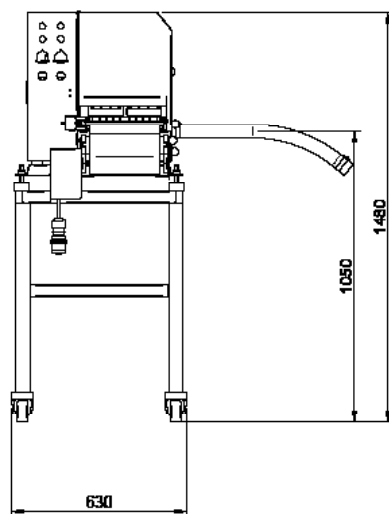
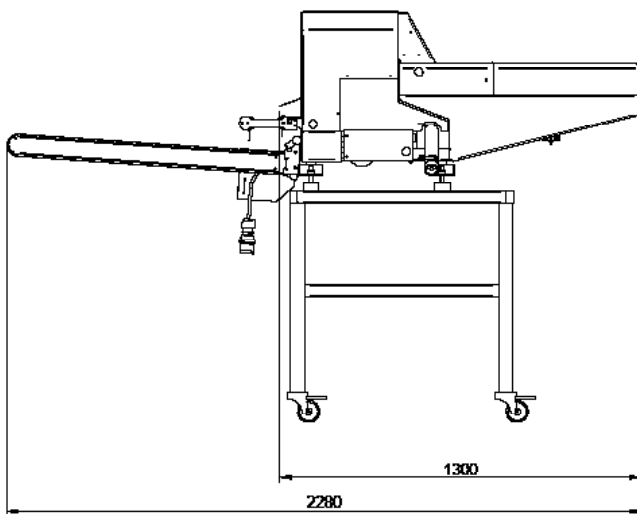
OPTIONAL ACCESSORIES:

Conveyor belt
Piling belt
Connector for automatic continuous filler
Table with stainless steel wheels
Round hamburger shaper (additional)
Round hamburger ejector (additional)
Non-round hamburger shaper (additional)
Non-round hamburger ejector (additional)

RELATED MACHINES:

Piston fillers, continuous fillers, batter-breading machines, fryers, mixers and grinders.

- Can be coupled to any filler (40 mm diameter).
- Highly suitable for continuous filler.
- Produces up to 100 hamburgers per minute (2 per operation).
- Lays white paper or cellophan on one or both sides.
- Uses paper in rolls.
- Can work without paper.
- Cuts paper in lengths from 120 to 140mm.
- Hamburger weight from 25 to 250 gr. (by changing shaper).
- Variable shape (round, square, oval, rectangular). Round hamburgers from 60 up to 100mm.
- Pneumatic operation at 6 Kg / cm² (300 litres per minute).
- Electrical power 0,2 kW (three-phase).
- Double stacker from 1 to 5 hamburgers (optional).
- Dimensions: 2,280 x 650 x 630 mm.
- Weight: 150 Kg.
- Made of stainless steel.



INDUSTRIAS GASER, S.L. - Ctra. Bescanó, 15, Pol. Torre Mirona 17190 Salt (Girona) - Spain
Tel. +34 972 23 65 72. E-mail export2@gaser.com