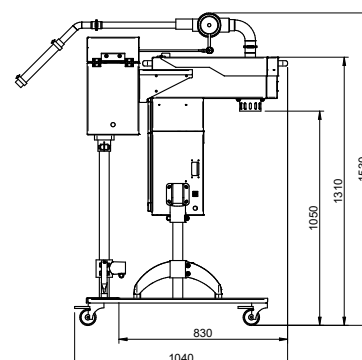
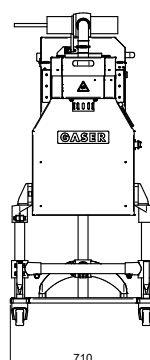


MACHINERY FOR THE FOOD INDUSTRY

- Can be connected to any filler.
- Suitable for the production of meatballs, croquettes, and other shapes.
- Produces up to 7.200 portions/hour (depending on the speed of the filler, mixture, shape and weight of portion).
- Minimal weight variation between portions.
- Setting of product parameters by touch screen.
- Easy modification of all product parameters.
- Can store up to 8 recipes.
- Ergonomic diaphragm mechanism, no adjustments required.
- Adjustable height.
- Single phase electrical current 230V, 50 Hz, 1,5 kW
- Dimensions: 710 x 1040 x 1530 mm.
- Weight: 65 Kg.
- Machine on rollers.
- Made of stainless steel.

Automatic diaphragm dosing machine for making homemade croquettes, meatballs and other shapes.



RELATED MACHINES:

Grinders, Mixers, Cooking kettles, Piston fillers, Continuous fillers, Batter & Breading machines, Roasting tables, Continuous fryers.

OPTIONAL ACCESSORIES:

Connector for automatic filler. Portion dosing device for piston fillers.