

# GASER

## V-3000-SP AUTOMATIC HAMBURGUER MACHINE

MACHINERY FOR  
THE FOOD INDUSTRY



### OPTIONAL ACCESSORIES:

Conveyor belt

Connector for automatic continuous filler

Table with stainless steel

Round hamburger shaper (additional)

Round hamburger ejector (additional)

Non-round hamburger shaper (additional)

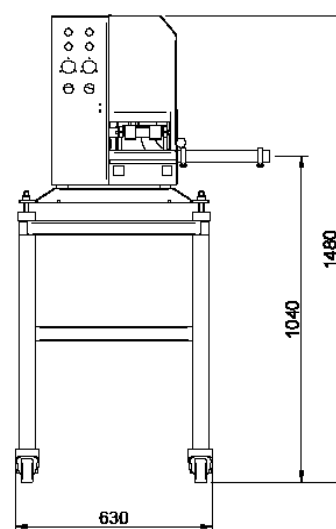
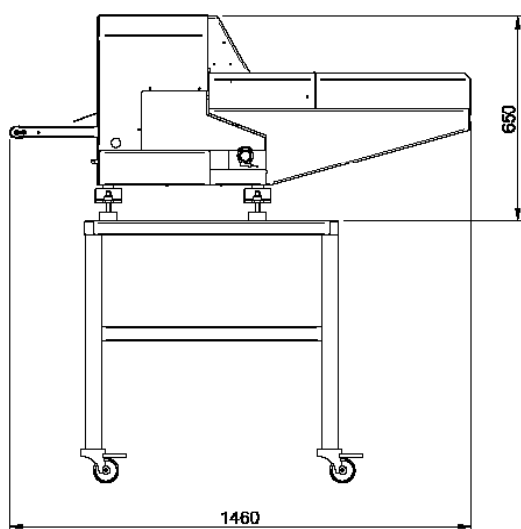
Non-round hamburger ejector (additional)

Automatic hamburger machine without paper for weights  
25 to 325 gr (depending on mould)

- Can be coupled to any filler (30 mm diameter).
- Forms hamburgers (without paper).
- Produces from 40 up to 60 hamburgers per minute (depending on filler speed and type of mixture).
- Hamburger weight from 25 up to 300gr (by changing shaper).
- Variable shape (round, square, oval, rectangular). Round hamburgers from 60 up to 110mm.
- Pneumatic operation (consumes 250 litres per minute).
- Working pressure: 6kg / cm<sup>2</sup>.
- Electrical power consumption: 0,2 kW. (three-phase).
- Dimensions: 1,460 x 650 x 630 mm.
- Weight: 85 Kg.
- Made of stainless steel.

### RELATED MACHINES:

Piston fillers, continuous fillers, batter-breading machines, fryers, mixers and grinders.



INDUSTRIAS GASER, S.L. - Ctra. Bescanó, 15, Pol. Torre Mirona 17190 Salt (Girona) - Spain  
Tel. +34 972 23 65 72. E-mail [export2@gaser.com](mailto:export2@gaser.com)