

GASER

V-3000-SP DOUBLE AUTOMATIC HAMBURGUER MACHINE

MACHINERY FOR
THE FOOD INDUSTRY



OPTIONAL ACCESSORIES:

Conveyor belt

Connector for automatic continuous filler

Table with stainless steel wheels

Round hamburger shaper (additional)

Round hamburger ejector (additional 2u)

Non-round hamburger shaper (additional)

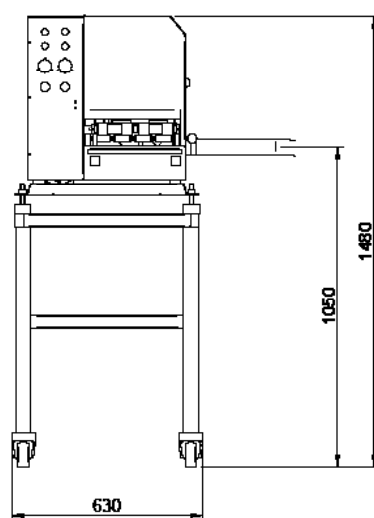
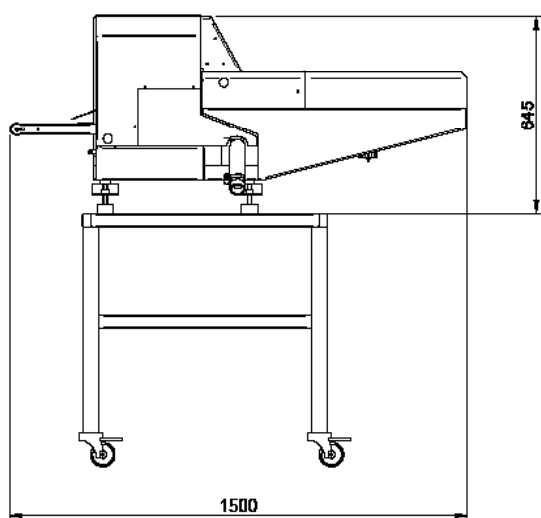
Non-round hamburger ejector (additional 2u)

Automatic double hamburger machine without paper for weights from 25 to 300 gr (depending on mould)

- Can be coupled to any filler (40 mm diameter).
- Highly suitable for continuous filler.
- Produces up to 100 hamburgers per minute (2 per operation).
- Hamburger weight from 25 to 300 gr. (by changing shaper).
- Works without paper.
- Variable shape (round, square, oval, rectangular). Round hamburgers from 60 up to 110mm.
- Pneumatic operation at 6 Kg / cm² (300 litres per minute).
- Electrical power 0,18 kW (three-phase).
- Dimensions: 1,500 x 645 x 630 mm.
- Weight: 125 Kg.
- Made of stainless steel.

RELATED MACHINES:

Piston fillers, continuous fillers, batter-breading machines, fryers, mixers and grinders.



INDUSTRIAS GASER, S.L. - Ctra. Bescanó, 15, Pol. Torre Mirona 17190 Salt (Girona) - Spain
Tel. +34 972 23 65 72. E-mail export2@gaser.com